

PORTABLE MID-RISE LIFT

MOHAWK HR-6

6,000 lb. Capacity Mid-Rise Lift



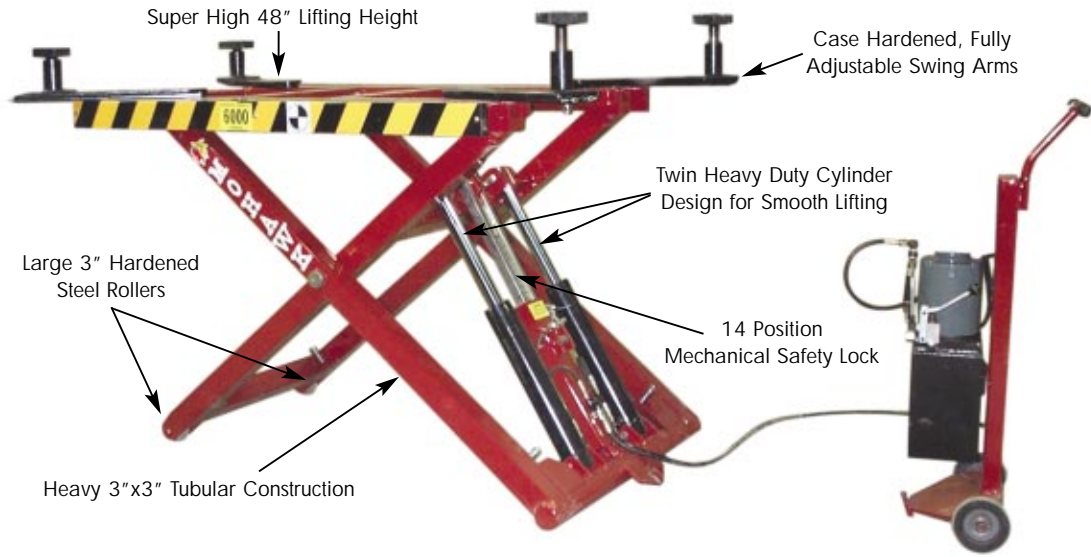
MOHAWK - *because...*
Quality Lasts a Lifetime

MOHAWK



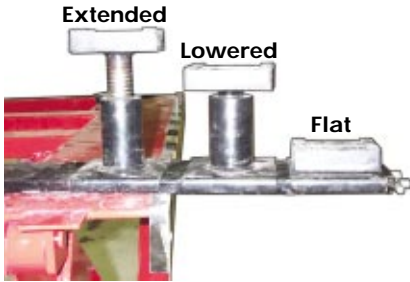
Multiple Safety System

A 14 position mechanical safety lock is backed by internal hydraulic flow control valves & velocity fuses.



Pad or Frame Contact

Equipped with flat rubber pads & expandable 4" to 7" truck adapters to allow lifting of low riding cars or trucks with running boards.



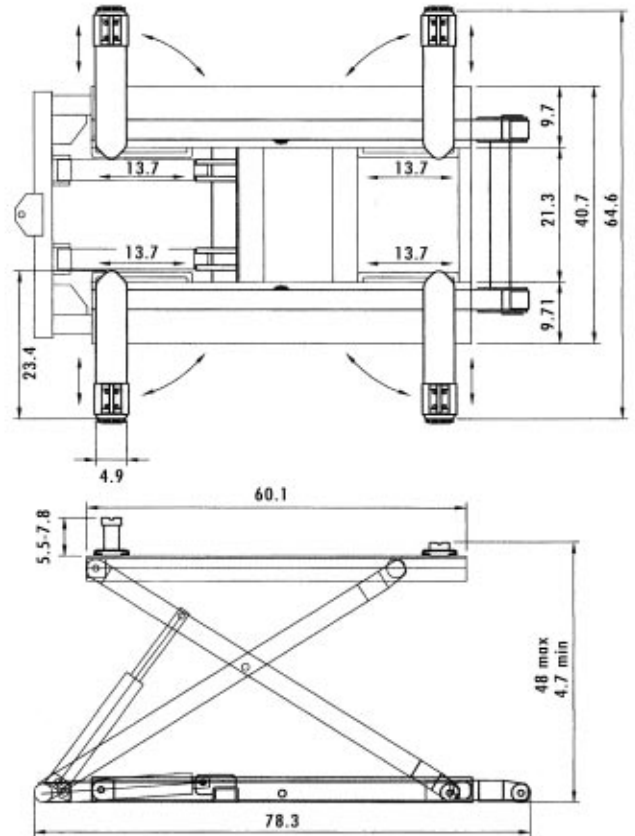
Portable

Tow dolly/power unit allows 1 person to easily move the lift.



Mohawk HR-6 Specifications

Capacity:	6,000 lbs.
Lifting Height:	48"
Lifting Height (with adapters):	54 1/4"
Lift Speed:	60 sec
Safety Locks:	14 Position
Motor/Pump:	110V/1 h.p.
Lift Weight:	820 lbs.
Lift Weight (with pump):	930 lbs.
Warranty:	1 year



specifications subject to change without notice

MOHAWK



Mohawk Resources, LTD.
 65 Vrooman Ave
 Amsterdam, NY 12010
 (800) 833-2006
 (518) 842-1431
 FAX: (518) 842-1289
www.mohawklifts.com



DISTRIBUTED BY:

